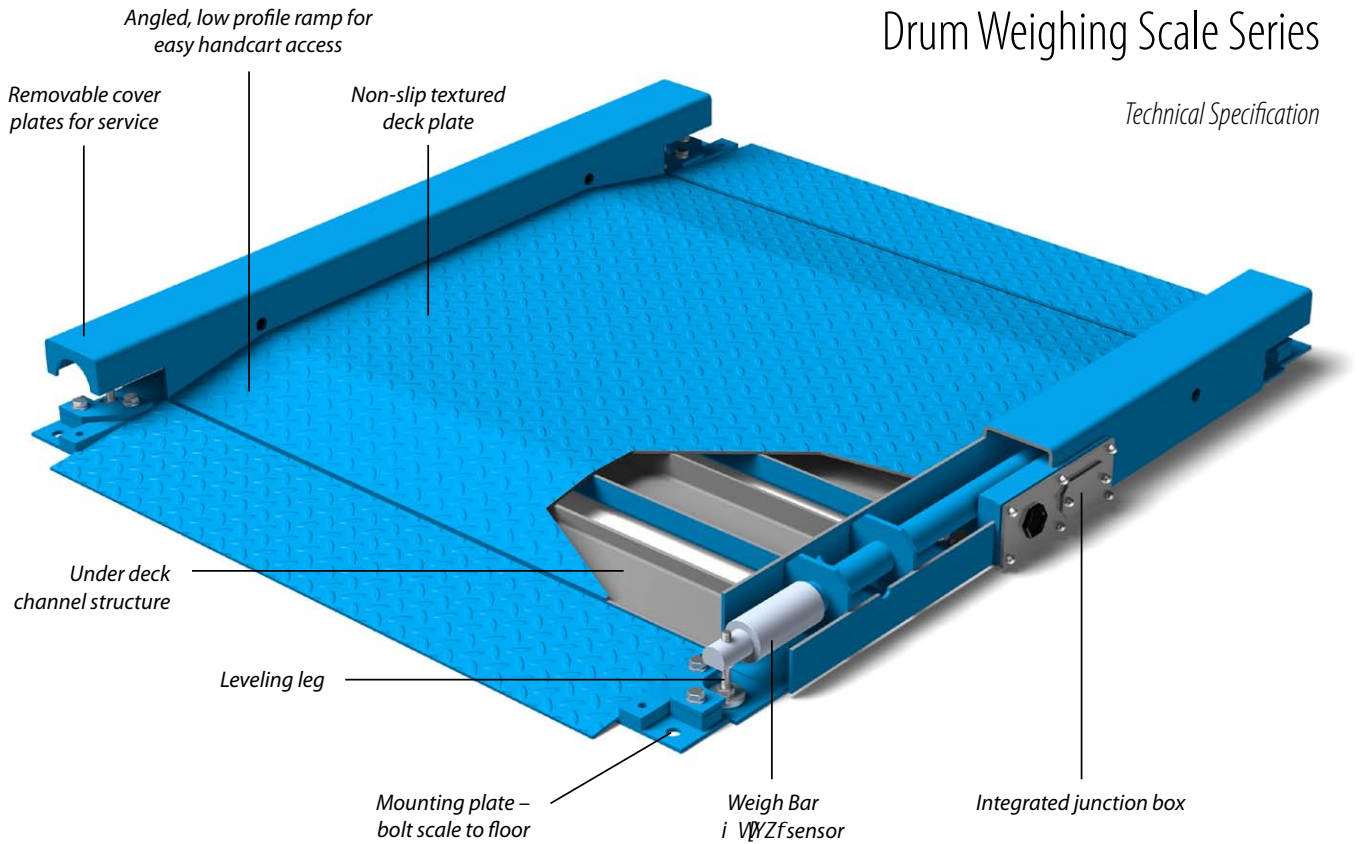




DW Drum Weighing Scale Series

Technical Specification



Stainless steel with optional indicator bracket

DESCRIPTION

General

The Drum Weigher is a multipurpose low profile scale allowing wheeled bins and drums to be easily pushed on and off while being strong enough to support pallets loaded from the side. It was designed to operate under some of the most intense and demanding weighing requirements – remaining strong and rugged while providing fast, accurate readings at all times. The Drum Weigher's durability is reinforced by six steel channels which are 3 ¼" wide supporting the 30"x30" weighing surface.



Design

Low profile design – With a weighing surface that is only an inch and a half off the ground, the Drum Weigher allows operators to safely and effortlessly push loaded carts up onto the scale. The strong, smooth surfaced rails have been designed to be strong and can support the scale if loaded from the side with a forklift truck. The increased height allows pallets/silages to be placed on the side rails and still allows easy access for the forklift to enter and easily retract.

Exceptional accuracy – The Drum Weigher includes the revolutionary Weigh Bar® designed to exceed the accuracy levels of a traditional load cell. The Weigh Bar is rugged, reliable and highly precise.

Material finish – The Drum Weigher is available in carbon and stainless steel. The 304 stainless steel scale provides good corrosion resistance to chemical corrodents and industrial atmospheres.

Serviceability – The Drum Weigher design provides easy access to the Weigh Bars and junction box for timely and routine maintenance. The removable cover plate grants easy access for calibration and service.

Inherent protection – The junction box is welded into the deck frame providing protection for sensitive components and additional strength to the frame. The Weigh Bar cables entering the box are protected by watertight hubs.

Side rails – The side rails on the 600, 1000 and 1500 provide side access for loading. Larger sized objects can be placed on the side rails which also serve as part of the weighing surface.

Paint finish – The hard wearing light blue powder coating gives extra added protection to the scale when used in an indoor or outdoor application.

Axle loading – The Drum Weigher has a 50% axle load rating.

SPECIFICATIONS

Finish (Carbon steel): 2-3 mil layer of epoxy primer or 2-3 mil layer of high grade powder paint finish.

Weight sensors: Four Weigh Bars

Weigh Bar output: 1 mv/v

Overload protection: 200%

End loading: 100%

Accuracy: 5000 division, ±1 division

Resolution: 10,000 divisions, in non legal-for-trade applications

Temperature: 14° to 104°F (-10° to 40°C)

Agencies:

NTEP Certificate of Conformance #93-130

FZ 600, 1000 and 1500 are Factory Mutual approved and are in full compliance with an Avery Weigh-Tronix GSE 350IS or 355IS Indicator Reference Control Chart. 1% 31 F% 2 " " % +ž

Canadian Weights and Measures

Interface cable: 25 ft cable included or 6 ft when indicator column is included

Shipping weight:

Carbon steel: 240 lb (108 kg)

Stainless steel: 250 lb (113 kg)

Capacity and dimensions:

Capacity	Model No.	Dimensions	Stainless Steel	Carbon Steel
1000 x 0.2 lb (500 x 0.1 kg)	DWS3030-01	30 x 30 x 8.0 in (762 x 762 x 203.2 mm)	■	■
	DW3030-01	30 x 30 x 8.0 in (762 x 762 x 203.2 mm)		■

Avery Weigh-Tronix - USA

1000 Armstrong Drive,
Fairmont, MN 56031-1439 USA
usinfo@awtxglobal.com
Toll-Free: (800) 533-0456
Phone: (507) 238-4461

Avery Weigh-Tronix - UK

Foundry Lane, Smethwick,
West Midlands B66 2LP UK
info@awtxglobal.com
Phone: +44 (0) 8453 66 77 88
Fax: +44 (0) 121 224 8183

Please call us or visit www.averyweigh-tronix.com for your nearest Avery Weigh-Tronix distributor

Avery Weigh-Tronix

