

# Avery Weigh-Tronix

## WI-125 LED Indicator with Keypad and LED Display

**Washdown safe**  
**Numeric keypad**  
**Easy operation**  
**Fast-reading**  
**LED display**

Enclosed in a stainless steel NEMA 4X case, the WI-125 LED Indicator will serve you effectively in wet or dry environments. And its crisp, easy-reading LED display will speed any weighing process.



# WI-125 LED Indicator with Keypad and LED Display

## Features and benefits

**Six function keys**— No confusing functions. Train operators in minutes.

**LED display**— Bright, crisp, fast-reading. Speeds weighing process and reduces operator error.

**NEMA 4X washdown**— Stainless steel enclosure provides corrosion and washdown resistance to rough indoor and outdoor use.

**Numeric keypad**— Makes tare entry more flexible. Enter known weights from the keypad, or use the TARE key to enter container weights.

**RS-232 serial port**— Provides link with printers and computers.

**Remote key inputs**— Logic level inputs for Zero, Print, Tare.

**Print formatting**— Customize your printout with company name, message, character size and location, etc. right from the front panel.

**Heavy-duty swivel mounting stand**— Adjust the display quickly to the best sight line.

**RFI protection**— Provides stable weight readings in environments with moderately high levels of RFI radiation.

**Single channel accumulation**— Prints each weightment individually, then provides count and total weight.

## Options

**Time and date**

**8 Cutoffs (setpoints)**

**Analog output** (0-5v, 0-10v, 1-5mA, 4-20mA, 10-50mA)

## Specifications

### Power:

115 volts AC/230 volts AC, 50/60 Hz single phase

### Display:

Eight .6-inch high LED digits with LED annunciators

### Display rate:

Configurable to 1, 2, or 5 times per second

### Display averaging:

A to D conversion rate: 60 times per second

### Internal resolution:

884,736 counts at 3 mV/V  
294,912 counts at 1 mV/V

### Increments:

0.0001 to 20,000 programmable to any division size between these limits.

### Controls:

GROSS/NET, TARE, ZERO, PRINT, UNITS, MENU, Keypad (0-9)

### Annunciators:

Gross, net, center of zero, print, lb and kg

### Excitation:

10 VDC

### Load cells:

Drives up to 12 350-ohm Weigh Bars® or load cells

### Agencies:

NTEP, CC#92-167A4 Class III/III L  
Canadian Weights and Measures, #AM 4868  
CSA  
FCC Class A  
UL/CUL

**Analog range:** -0.14 to +3.5 mV/V

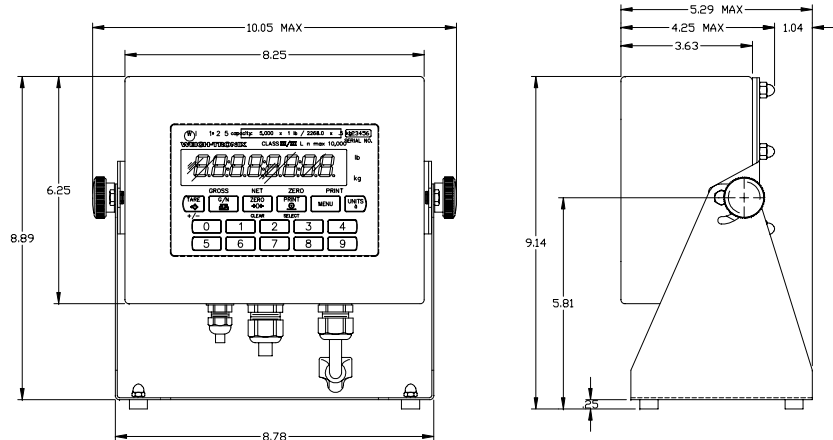
### Environment:

-10 to 40° C (14 to 104° F)  
10 to 90% relative humidity

**Shipping weight:** 6.5 lb (2.9 kg)

### Dimensions:

8.25"W x 6.25"H x 4.25"D (without mounting bracket)  
10.05"W x 8.89"H x 5.29"D (with mounting bracket)



## Avery Weigh-Tronix

Fairmont, Minnesota U.S.A.  
USA Toll-Free: 800-368-2039  
USA Phone: 507-238-4461  
www.wtxweb.com

Pointe Claire, Quebec Canada  
CAN Toll-Free: 800-561-9461  
CAN Phone: 514-695-0380  
www.weigh-tronix.ca

